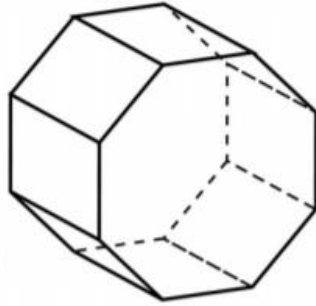


Please complete the following problems for homework. Check Mrs. Kent's website for due dates.
THERE MAY BE PROBLEMS ON THE BACK!

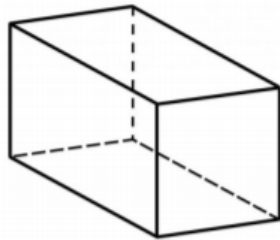
Round all answers to the nearest hundredth.

1. Name the three dimensional figure in each diagram. (2 points each)

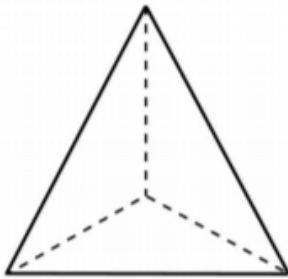
a.



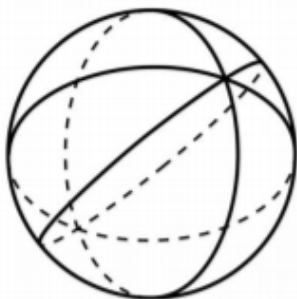
b.



c.



d.



2. Find the volume and surface area of a cube whose side lengths are all 2.5 (4 points each)

a. Volume:

b. Surface Area:

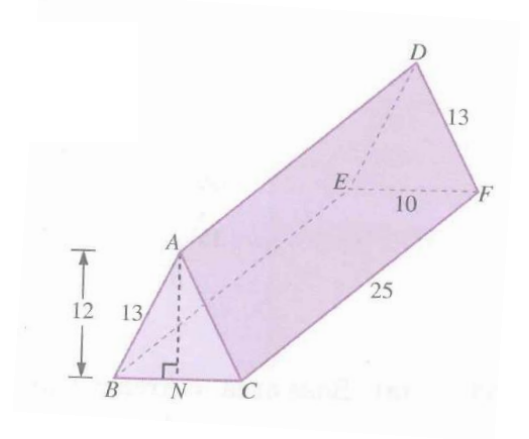
3. Find the volume and surface area of a cuboid whose dimensions are $6.5x$ by 4 by $3x$ (4 points)

a. Volume:

b. Surface Area:

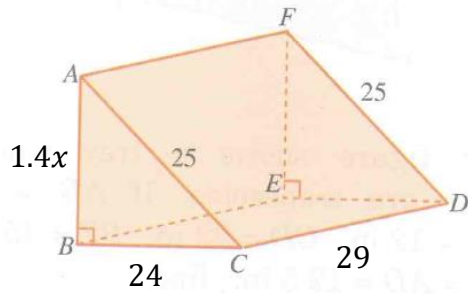
4. Find the volume and surface area of the triangular prism. (4 points each)

a. Volume:

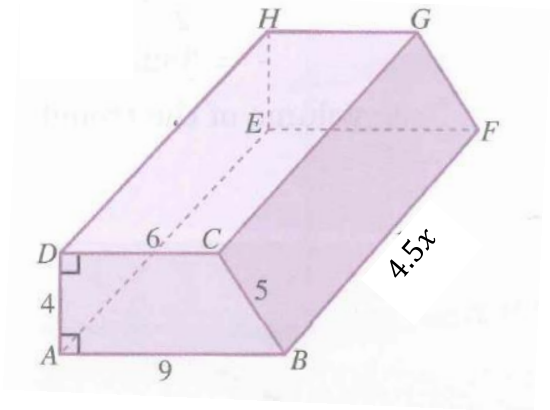


b. Surface Area:

5. If the volume of this triangular prism is 2436, then find x . (4 points)

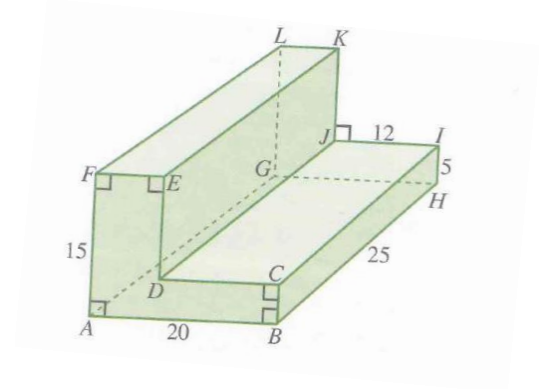


6. If the surface area of this trapezoidal prism is 384, then find x . (4 points)



7. Find the volume and surface area of the object below. (4 points each)

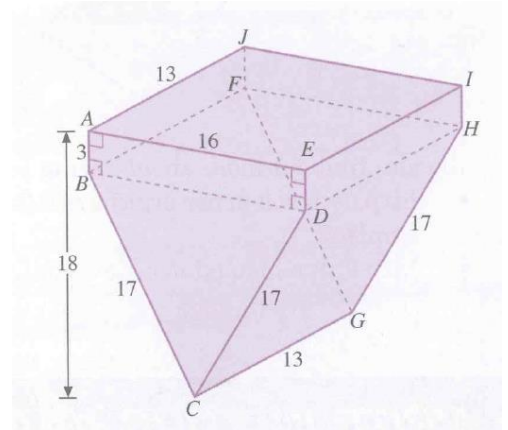
a. Volume:



b. Surface Area:

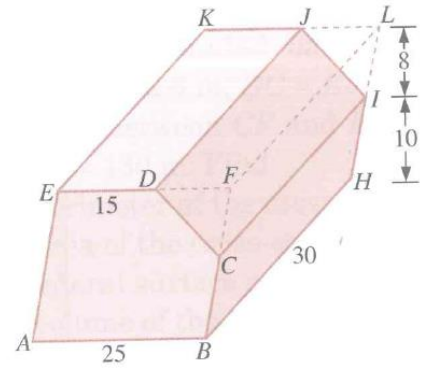
8. Find the volume and surface area of the object below. (4 points each)

a. Volume:

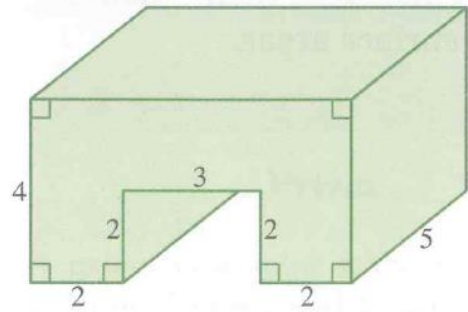


b. Surface Area:

9. Find the volume of the object below. (4 points)



10. Find the surface area of the object below. (4 points)



ANSWER KEY

1.
 - a. Octagonal Prism
 - b. Cuboid
 - c. Triangular Pyramid
 - d. Sphere

2.
 - a. $V = 15.63$
 - b. $SA = 37.5$

3.
 - a. $V = 78x^2$
 - b. $SA = 39x^2 + 76x$

4.
 - a. $V = 1500$
 - b. $SA = 1020$

5. $x = 5$

6. $x = 3$

7.
 - a. $V = 4500$
 - b. $SA = 2110$

8.
 - a. $V = 2184$
 - b. $SA = 1064$

9. $V = 12300$

10. $SA = 174$