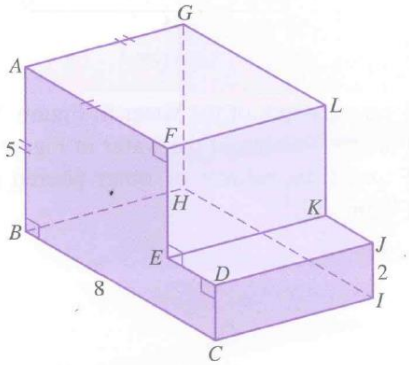


Please complete the following problems for homework. Check Mrs. Kent's website for due dates.
THERE MAY BE PROBLEMS ON THE BACK!

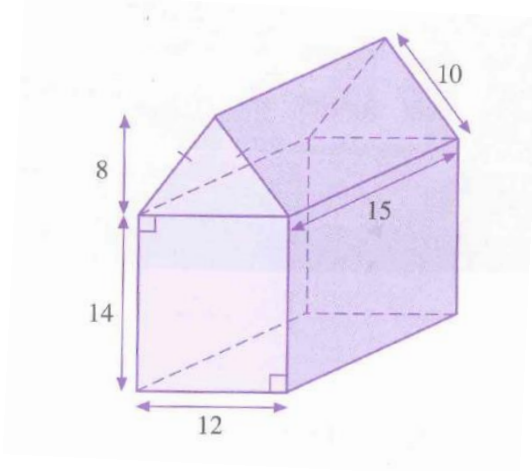
1. Find the volume and surface area of the composite figure.



a. Volume:

b. Surface Area:

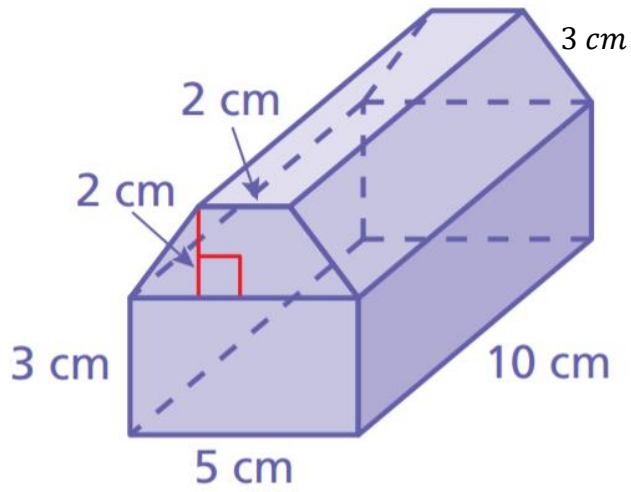
2. Find the volume and surface area of the composite figure.



a. Volume:

b. Surface Area:

3. Find the volume and surface area of the composite figure. Ignore the centimeters in diagram.



a. Volume:

b. Surface Area: