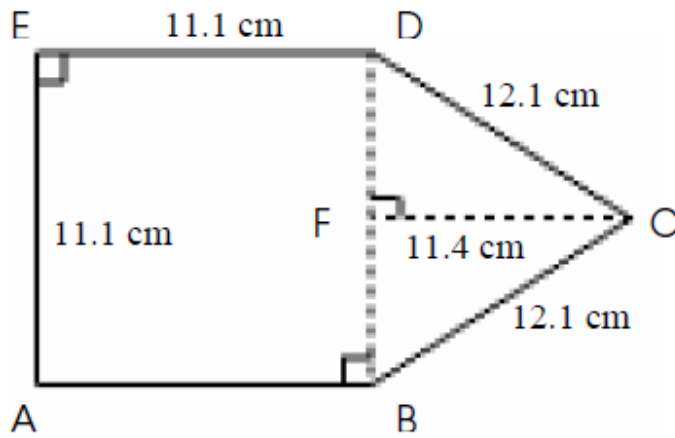


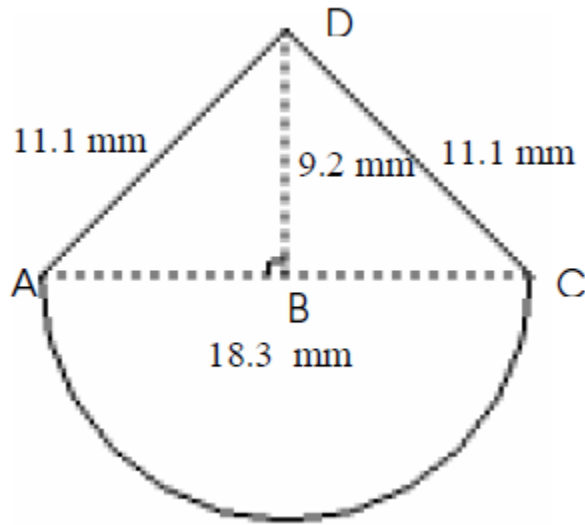
2. Use the diagram to find the solutions.



a. Find the area of the composite figure.

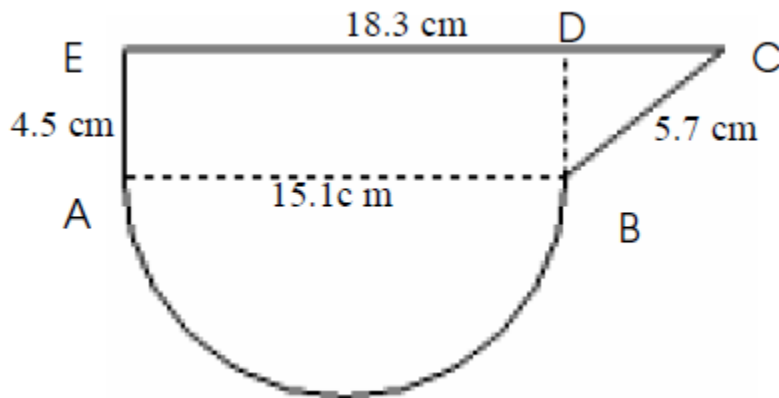
b. Find the perimeter of the composite figure.

3. Use the diagram to find the solutions. Use the π button and round answer to the nearest hundredth.



- a. Find the area of the composite figure.
- b. Find the perimeter of the composite figure.

4. Use the diagram to find the solutions. Use the π button and round answer to the nearest hundredth.



- a. Find the area of the composite figure.
- b. Find the perimeter of the composite figure.