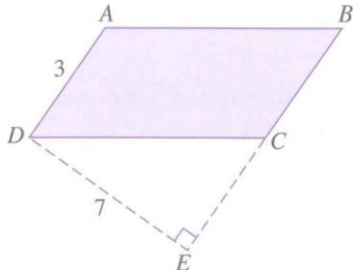
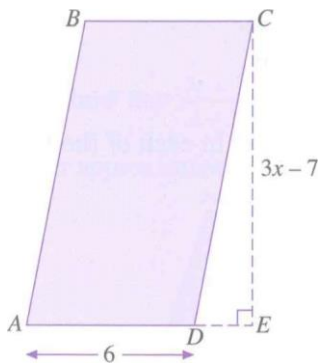


Please complete the following problems for homework. Check Mrs. Kent's website for due dates.
THERE MAY BE PROBLEMS ON THE BACK!

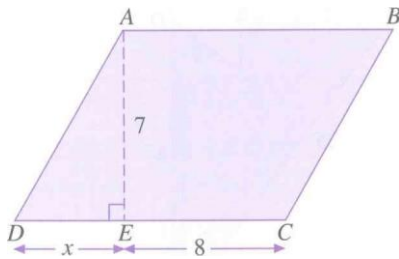
- 1.) Find the area of the parallelogram in the diagram below.



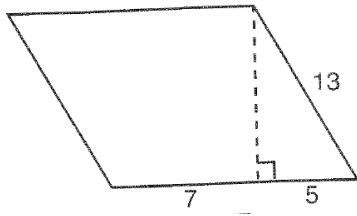
- 2.) Find the area of the parallelogram in the diagram below.



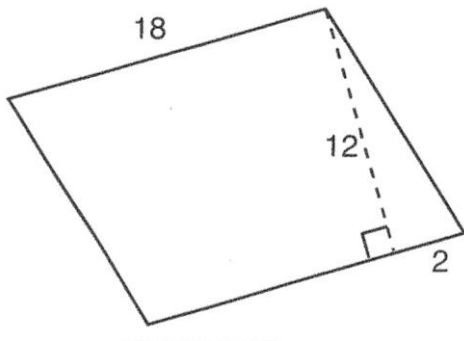
- 3.) For the diagram shown below, if the area of parallelogram $ABCD = 77$, then find the value of x .



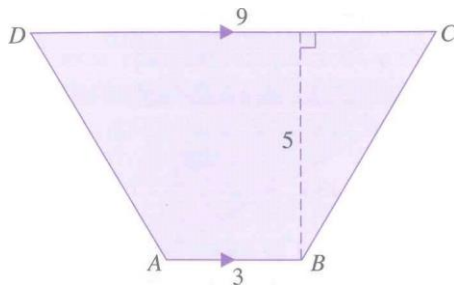
4.) Find the perimeter of the parallelogram in the diagram below.



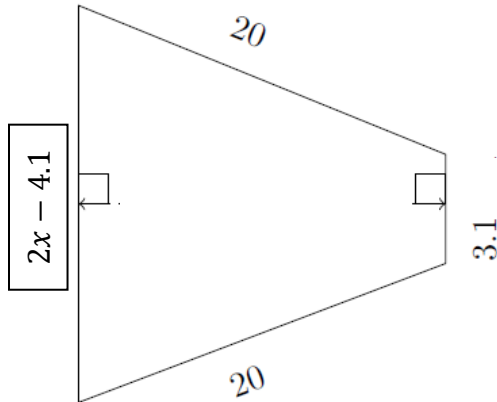
5.) Find the area of the parallelogram in the diagram below.



6.) Find the area of the trapezoid in the diagram below.



7.) If the perimeter of this trapezoid is 62.3, then find x .



8.) If the perimeter of the parallelogram below is 40, then find x .

